

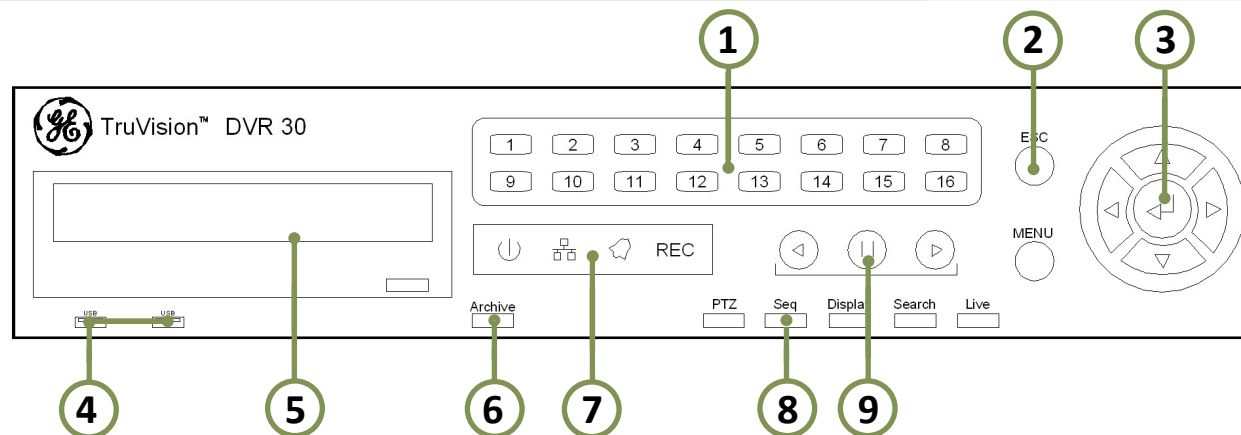
TruVision Line
DVR 30
 H.264 Digital Video
 Recorder, Dual-Streaming

Getting to know your new TruVision DVR

A quick walkthrough of the functions and features your TruVision DVR has to offer.



- 1 Numeric Buttons (Channel Select)**
- 2 Menu And Esc Controls**
- 3 Directional Controls And Enter Button**
- 4 USB Ports**
- 5 CD/DVD Drive**
- 6 Quick Archive Button**
- 7 Status LEDs**
- 8 Function Buttons**
- 9 Playback Controls**



Live Functions

Configuring The Monitor: The monitor for the DVR can display several different modes to show 1, 4, 9, or 16 cameras at once. Press the camera number button 1-16 or double 'Left' click on an picture to enlarge, double 'left' click to return; press the 'Display' button to cycle through the different screen configurations. If the camera labels are in the way of the picture, 'left' click on the label and hold while dragging the label to move it out of the way.

Controlling A PTZ Camera: Select a camera, then press the PTZ button or choose PTZ from the on-screen menu. Use the mouse to select the PTZ function or use the Up / Down / Right / Left buttons to control the camera.

Archiving Footage (Copying Video)

1 Insert thumb drive, CD, or DVD. **2** Follow search instructions (in the right column) **3** While the clip is playing, press the archive button to "mark" the start of the archive, press it again to "mark" the end of the archive. After you press the archive button the second time, an archive window will appear. **4** The DVR will look for the USB/CD/DVD device and prompt you to start the archive.

Viewing Recorded Footage

Search & Playback By Time: **1** Start off by pressing the search button on the front panel. **2** Log into the search menu by choosing your user name and entering your code (using camera number buttons) and press enter. **3** Under "time based search" enter desired time into the "goto" field and select start. Next to "Play Data" select start. Use FFWD, Pause, and REW buttons as needed.

Search & Playback By Events: **1** Start off by pressing the search button on the front panel. **2** Log into the search menu by choosing your user name and entering your code (using camera number buttons) and press enter. **3** Under event based search select desired cameras, highlight event list area, and press enter (center button). A list of events will appear. **4** Select the event of choice or use the forward and reverse buttons to navigate between the pages of the events. Once the event is selected press enter (center button) and the clip will play. Use FFWD, Pause, and REW buttons as needed.



Remotely Accessing Your TruVision DVR



For The Record:

Write your DVR IP address and Hostname here for future reference.

DVR location: _____

DVR IP Address: _____

DVR Hostname: _____ .ddns-tvr.net

User ID: _____ **Passcode:** _____

Web Viewer Requirements:

In order to use the full web viewer, you will need to have a computer running Windows XP, Vista, or 7 with Internet Explorer 6, 7, or 8. Screen resolution 1024x768 or higher recommended. *Other web browsers such as Chrome, Safari, and Firefox do not support the DVR plugin software, and will open the mobile viewer page instead of the desktop viewer.*

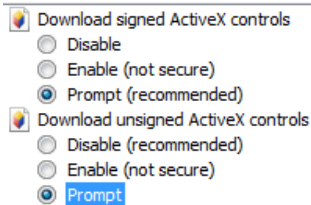
Viewing Your DVR From Your Smartphone:

Note: The mobile viewer works on many modern smartphones including iPhones, most Android devices, and some newer BlackBerry devices.

Getting Connected: Open the web browser on your phone, then type the IP address or hostname of your DVR into the address bar and press go. Enter your User ID and password when prompted.

Installing The Web Plugin:

On some computers, Internet Explorer is configured to prevent installing or running ActiveX control plugins. If you are unable to install the plugin, check the security settings. In Internet Explorer, choose 'Tools' from the toolbar then select internet options. In Internet Explorer 7 and 8, choose tools near the upper right corner of the window, then choose Internet Options. Choose the 'Security' tab, and click on 'Custom Level', scroll down until you see 'Download Unsigned ActiveX controls' (see image below). Change 'Download Unsigned ActiveX controls to 'Prompt', hit 'OK', then 'Apply'.



The Web Viewer:

- 1 Viewer Window:** double click on a picture to switch to a full screen view of one camera.
- 2 Download DVR Player:** play downloaded video clips.
- 3 Switch To Live Mode**
- 4 Switch To Playback Mode**
- 5 DVR Configuration**
- 6 Event Search**
- 7 Take Snapshot**
- 8 Revert To 4:3 Aspect Ratio**
- 9 Check System Health Status**
- 10 Bandwidth Control**
- 11 View / Screen Configuration**

